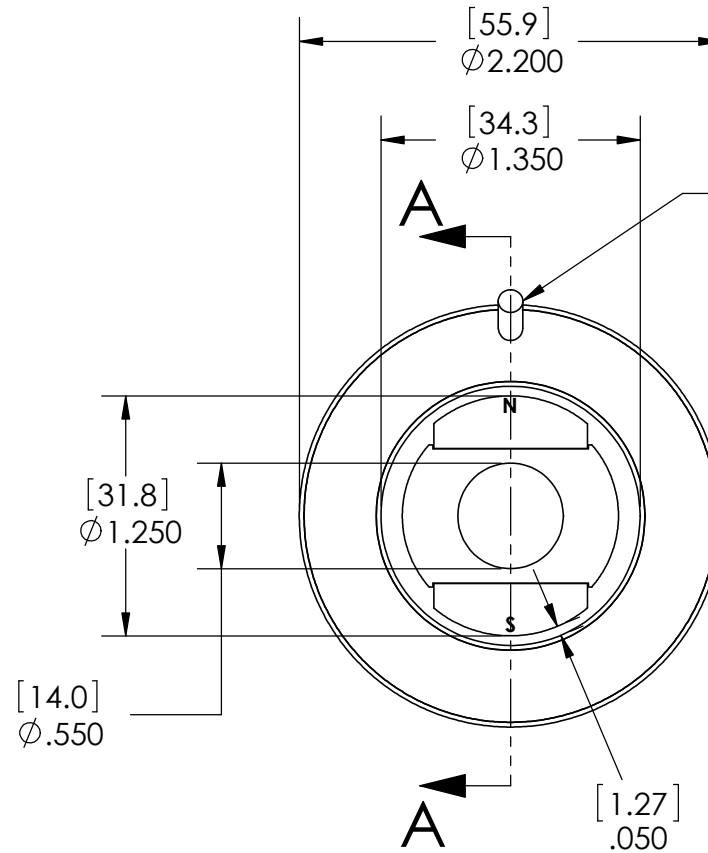
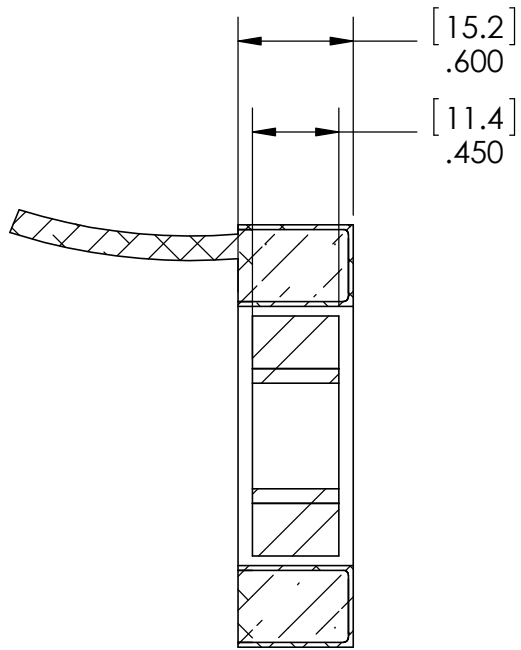
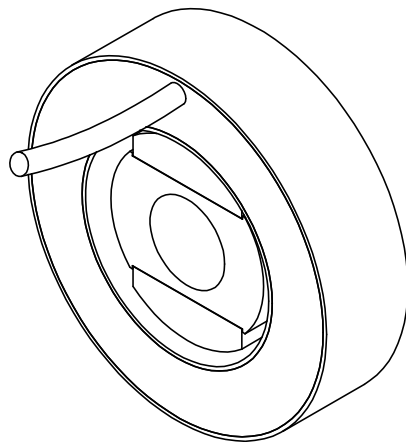


These drawings and specifications are the property of H2W Technologies, Inc. They are issued in confidence and shall not be reproduced, copied, or used without written permission from H2W Technologies, Inc. (www.h2wtech.com)



Twisted Shielded Cable  
Wirenetics P/N E22(2)SJ FEP  
or M16878/4 2 Conductor.



**Note:**

When power is connected + to White and - to Black then the rotor will turn clockwise as shown in the view above.

UNLESS SPECIFIED OTHERWISE:  
All dimensions are in inches  
Standard Tolerances are as follows  
.XXX ±.005 ANGLES ±1°  
.XX ±.010 FILLETS .010  
X ±.020 CORNERS .010  
Remove All Burrs and Sharp Edges

MATERIAL			
FINISH			
DRAWN	DATE	APPROVED	DATE
JRM	10-12-07	MPW	10-12-07

TITLE			
<b>Limited Angle Torque Motor Model # TMR-090-22-006-2</b>			
DWG #	REV	SHEET	
<b>80-0188</b>	<b>A</b>	1 of 2	

**H2W Technologies, Inc.**  
28310-C Ave Crocker Valencia, CA 91355 USA  
Tel: (661)-702-9346 Fax: (661)-702-9348  
www.h2wtech.com

<b>LIMITED ANGLE TORQUE MOTOR SPECIFICATIONS</b>		
Motor P/N	TMR-090-22-006-2	
Device Type	MR	
Stroke	90 degrees	1.57 radians
Radial Clearance	0.050 in	1.27 mm
Housed with Bearings	No	
Rotor Inertia	5.57 oz-in <sup>2</sup>	1.02 E-4 kg-m <sup>2</sup>
Total Mass	0.31 lbs	0.14 kgs
Resistance @ 20C	5.3 ohms	
Inductance @ 20C	0.8 mH	
Electrical Time Constant	0.15 msec	
Motor Constant	2.5 in-oz/sqrt(watt)	2.0 N-cm/sqrt(watt)
Torque Constant	5.8 in-oz/amp	4.6 N-cm/amp
Back EMF	5 E-3 V/rpm	0.05 V/rad/sec
Torque @ 100% Duty	6 in-oz	4 N-cm
Power @ 100% Duty	6 watts	
Current @ 100% Duty	1.1 amps	
Torque @ 10% Duty	18 in-oz	12 N-cm
Power @ 10% Duty	52 watts	
Current @ 10% Duty	3.3 amps	